



129, Narayan Peth, Sitaphal Baug Colony, Nr. Mati Ganapti,
Pune – 411030. Maharashtra, India

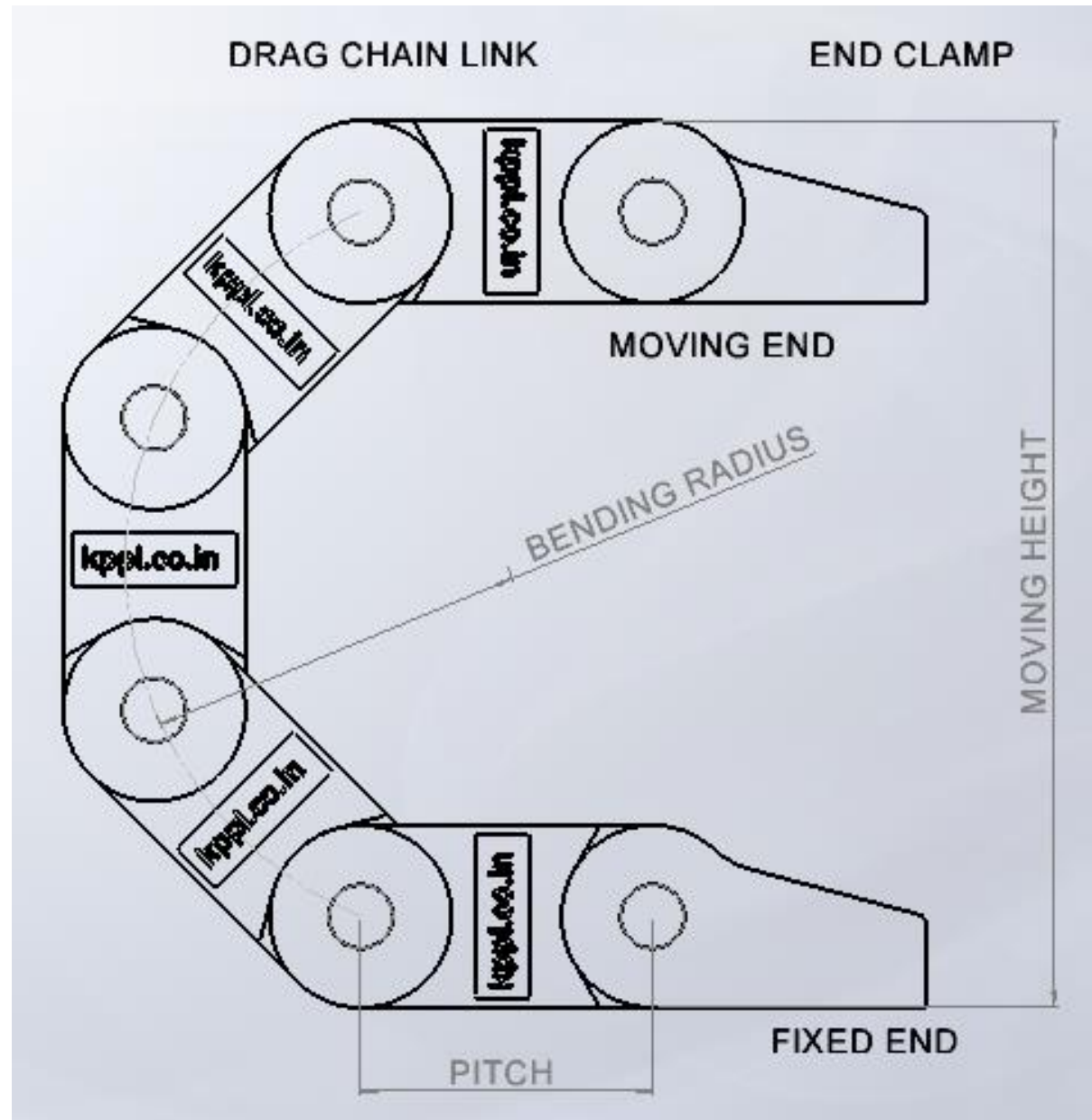
sales@kumbhojkarplastics.com | mktg@kumbhojkarplastics.com | www.kumbhojkarplastics.com

Mobile: 94042-38939 | 96070-03424

Images showing details of Dimensions for Selection of Drag Chain



IMAGE SHOWING –
BENDING RADIUS
MOVING HEIGHT OF BELT



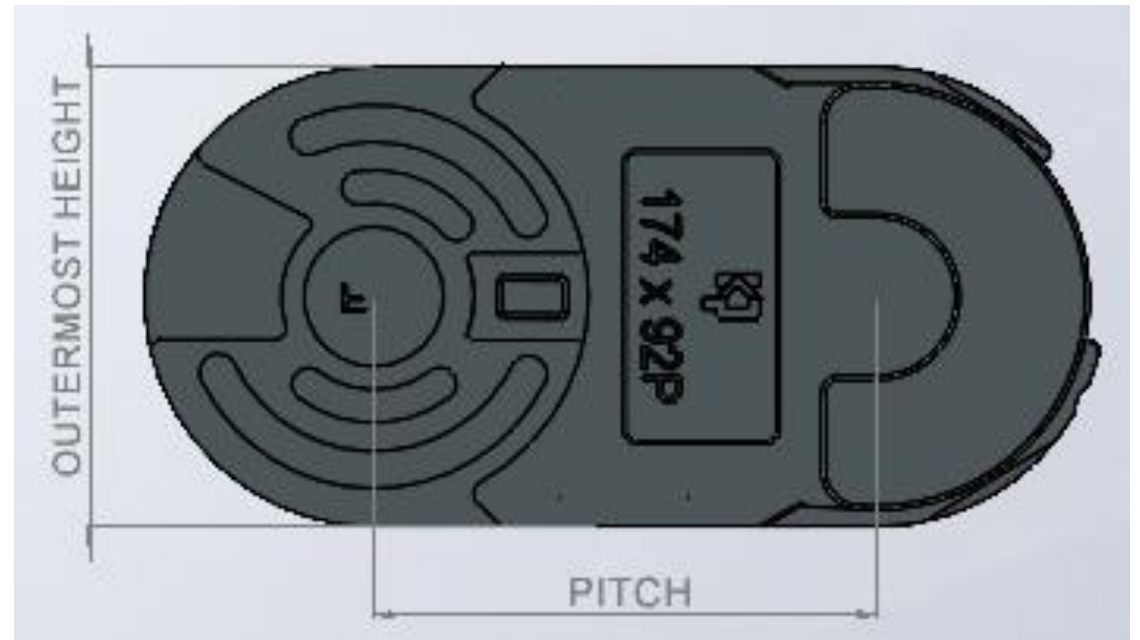
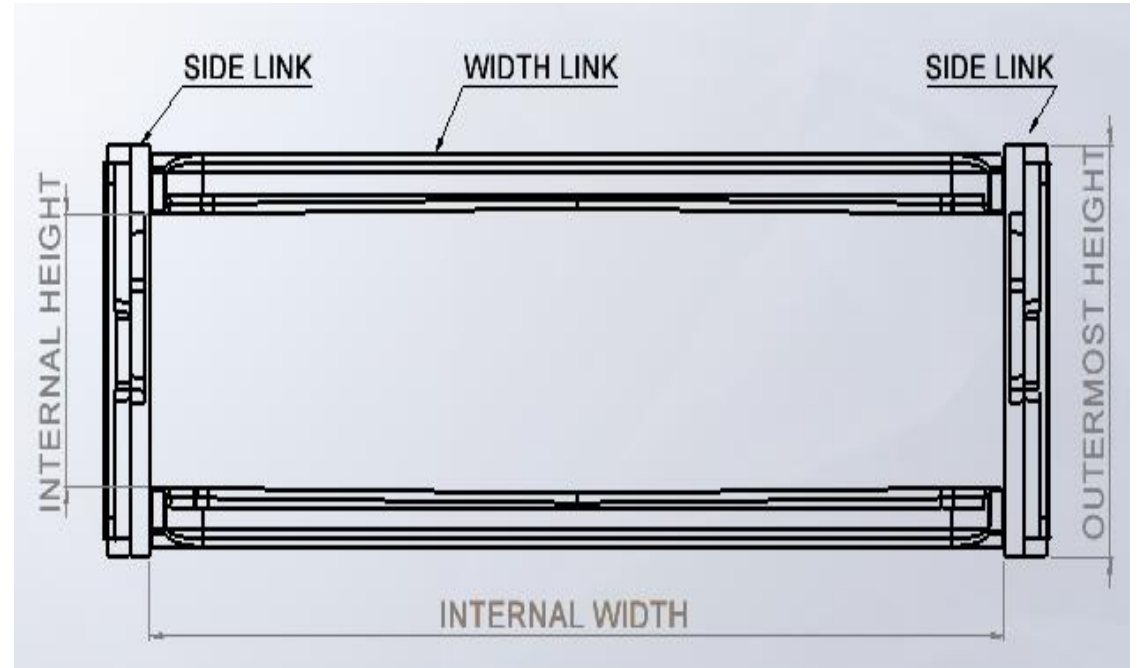
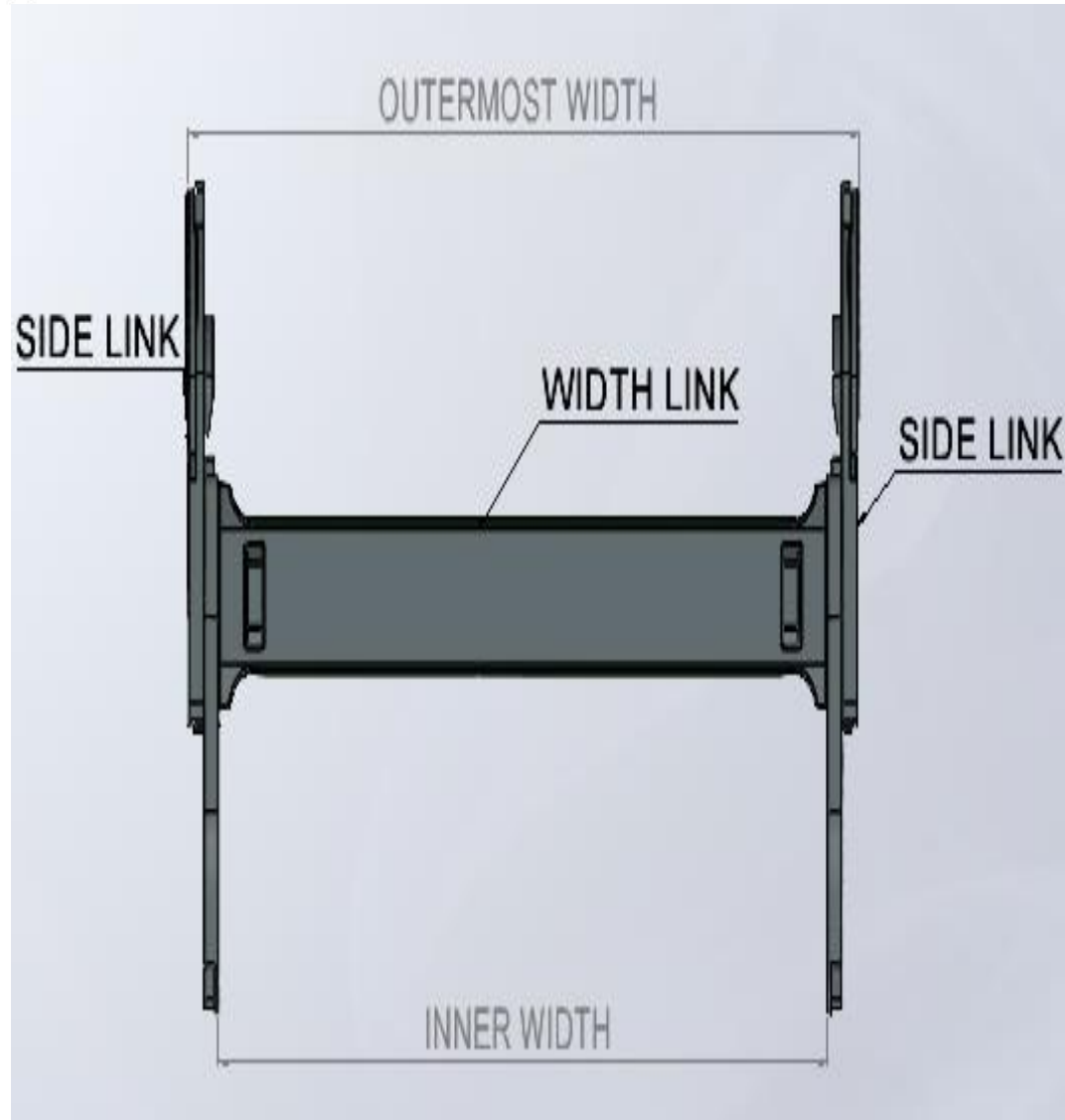


IMAGE SHOWING
INNER WIDTH; INNER HEIGHT; OUTERMOST WIDTH; OUTERMOST
HEIGHT; PITCH

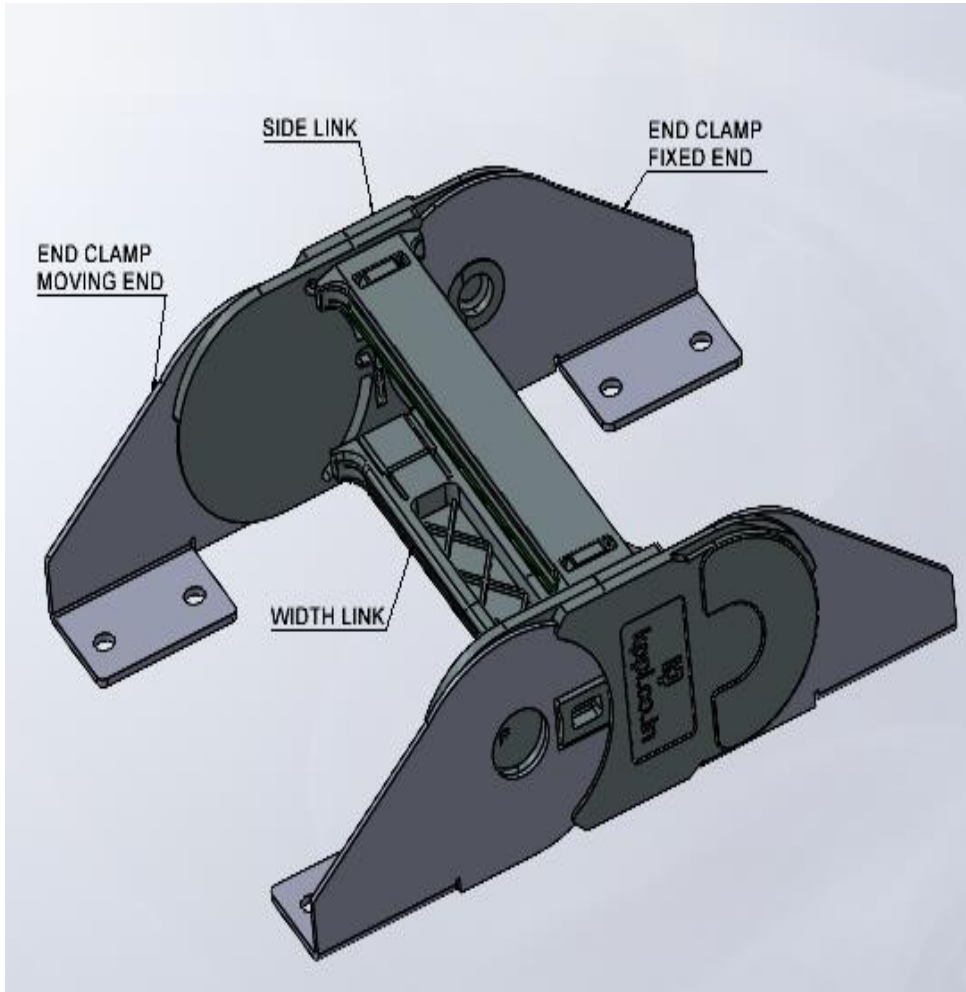


IMAGE SHOWING
METAL END CLAMPS – FIXED END & MOVING END

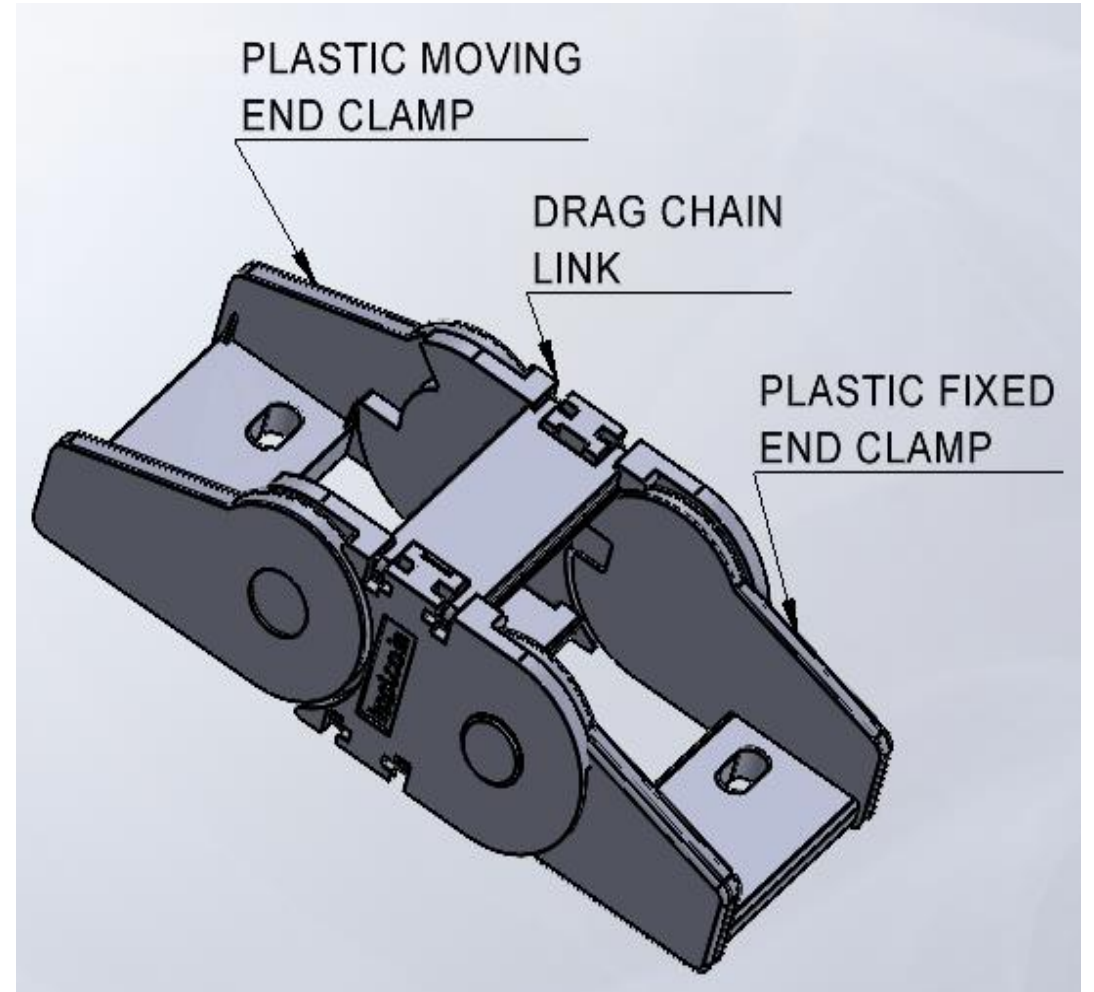
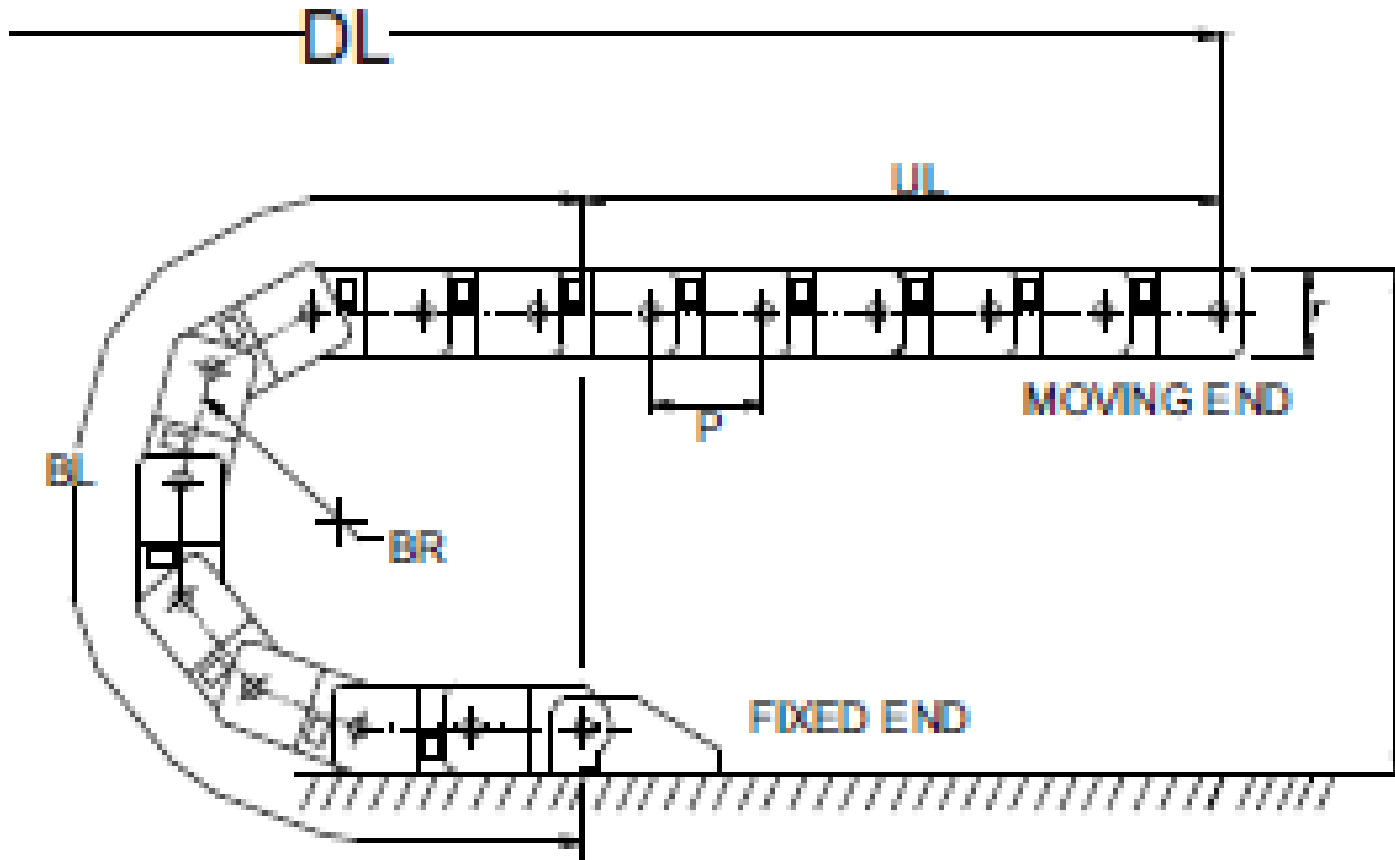
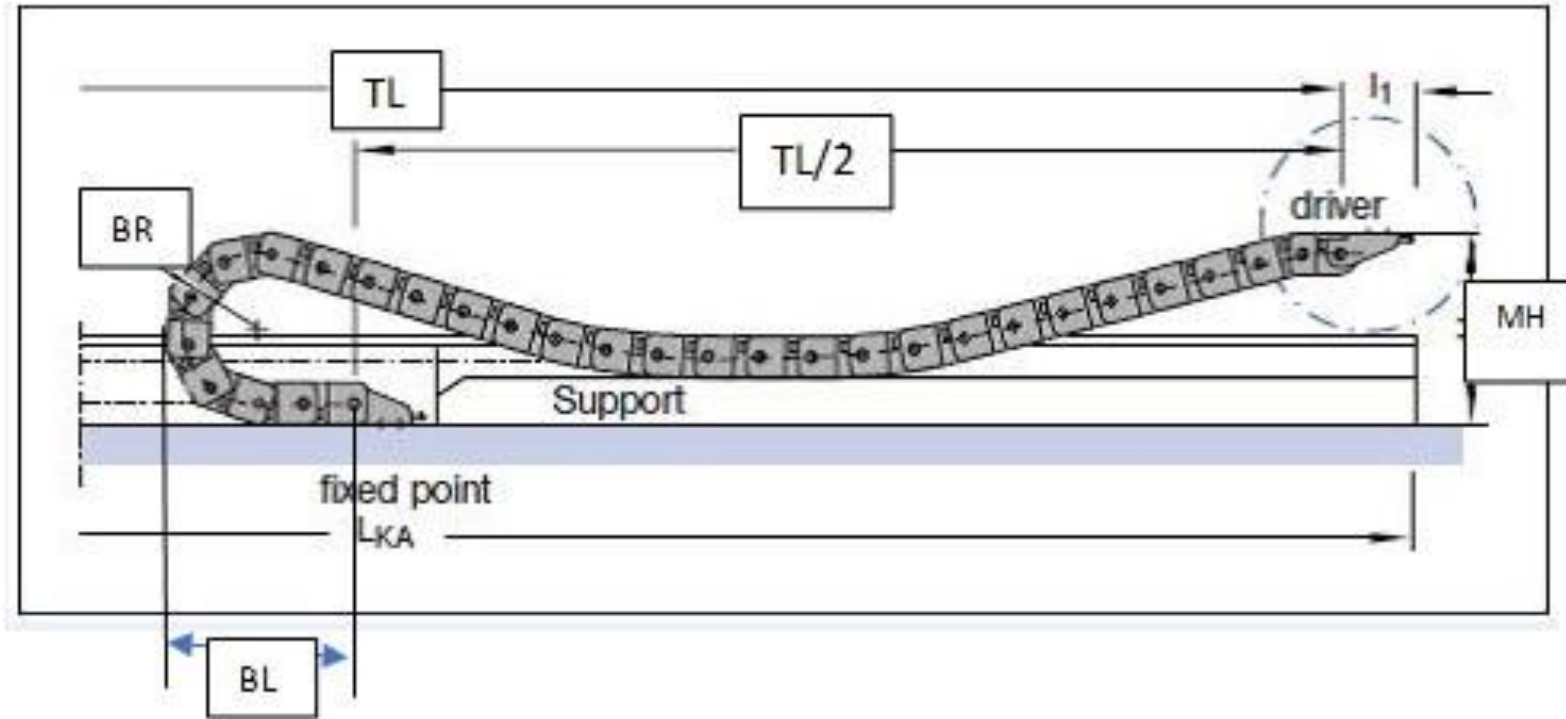


IMAGE SHOWING
PLASTIC END CLAMPS – FIXED END & MOVING END



Schematic diagram
Showing unsupported
Arrangement



**Schematic Diagram Showing
 Drag Chain in Long Travel or
 Drag Chain running with Bend**

BL – Length of Drag Chain in Bend

MH – Moving Height

BR – Bending Radius

UL – Unsupported Length – $TL/2$

TL – Total Travel Length

DL – Length of Drag Chain

DPF – In case your fixed point is shifted then add / subtract to the chain length as the case may be.



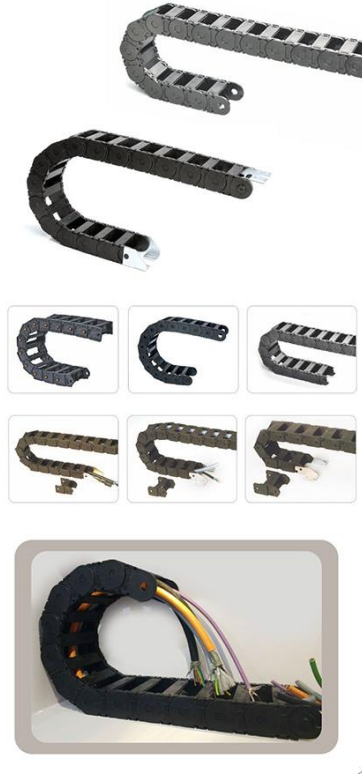
www.kppl.co.in

mktg@kumbhojkarplastics.com
sales@kumbhojkarplastics.com
Manufactured in Pune

Cable Carrier Assembly



Drag Chain/Cable Carrier System



Please visit

Drag Chain Installation Guidelines
<https://youtu.be/frJMB3EgwEA>



www.kumbhojkarplastics.com

129, Narayan Peth, Sitaphal Baug Colony, Pune - 411 030. INDIA Tel.: +91-9607003424, 9404238939